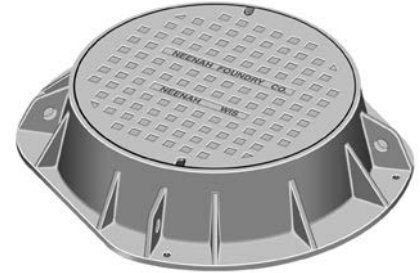
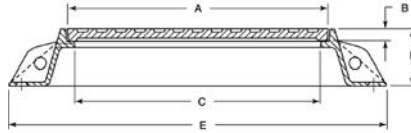


**R-1740 Series  
Manhole Frame, Solid Lid**

Heavy Duty



Illustrating R-1740-B

Dimensions in inches

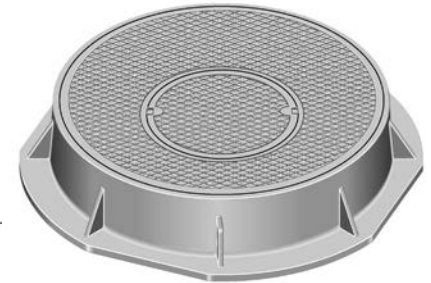
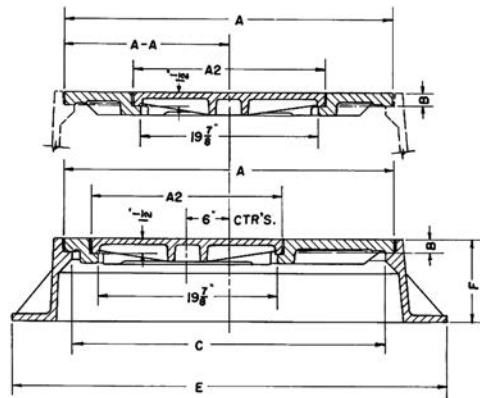
Catalog No.	A	B	C	E	F	Anchor Bolt Circle *	Grate Alt.
R-1740-B	32	1 1/2	30	46	7	43	R-2580-A
R-1740-D	38	1 1/2	36	49	10	46	R-2580-C

\* Four 1" diameter anchor holes.

**R-1740 to R-1741 Series  
Large Manhole Frame, Solid Lid  
with Removable Center Lid**

Heavy Duty

Removable inner lid allows easy access to underground vault.



Illustrating R-1741-F1

Dimensions in inches

Catalog No.	A	AA	A2	B	C	E	F	Lid
R-1740-C1	34 1/2	17 1/4	24	1 1/2	32 1/2	38 1/2	4	Type C
R-1740-D2	38	19	22	1 1/2	36	49	10	Type B
R-1740-E	44	22	22	1 3/4	42	56	10	Type B
R-1740-E1	44	22	31 15/16	1 3/4	42	56	10	Type B
R-1740-F **	50	25	22	2	48	62	10	Type B
R-1741-D *	38	Offset	22	1 1/2	36	49	10	Type C
R-1741-E *	44	Offset	22	1 3/4	42	56	10	Type C
R-1741-F ***	50	Offset	22	2	48	62	10	Type C
R-1741-F1 *	50	Offset	23	2	48	62	6	Type C

\* Center lid located 6" off center.

\*\* Base flange (dimension E) is flattened to 59" at four quarter points.

**R-1742  
Large Manhole Frame, Solid Lid with Removable Center Lid**

Heavy Duty

